

Enamelled domestic hot water tank with fixed high-capacity heat exchanger for heat pump systems

# Calor TANK 200 l

Single XL heat exchanger



Product details

CALOR TANK



Years  
Warranty



Oversized Heat  
Exchanger



Premium  
Glazing



Totalcalor  
Base

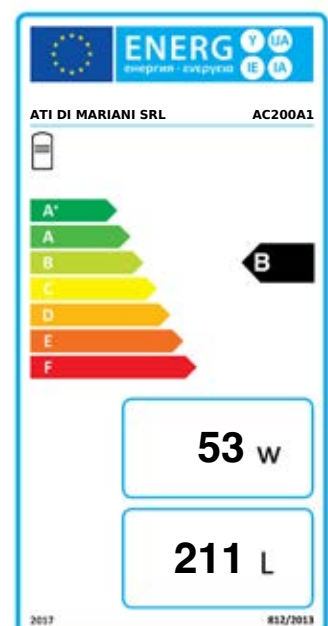


Nominal  
Pressure



Art. 4.3 PED  
2014/68/EU

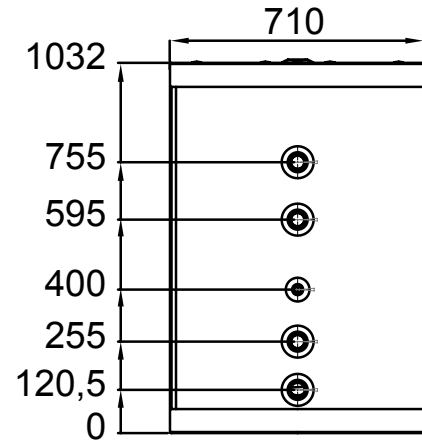
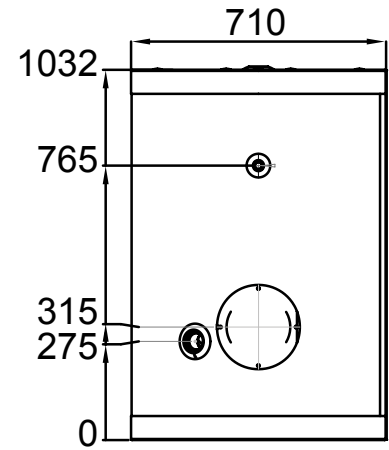
Code **AC200A1**  
Price **€ 1.390,00**



## Main characteristics

- Domestic hot water (DHW) storage
- Hydraulic connections on both sides
- Internal enamelled coating
- Magnesium anode
- Rigid polyurethane foam insulation
- Galvanized and plastic-coated steel outer casing
- Resistant to external agents
- Inspection flange
- Auxiliary electric heating element
- 5-year warranty

Technical Data		
Capacity	L	211
Empty weight	kg	79,3
Maximum water pressure	kPa (bar)	10
Energy efficiency class	ERP	B
Heat exchange surface	m <sup>2</sup>	1,8
Packaging		
Wooden crate L x W x H – (weight)	cm - (kg)	78x78x120 - (95)



CALOR TANK

## Accessories



MONOPHASE 230 V  
1500 W

Code  
**KITAC015**

Price  
€ 300,00



MONOPHASE 230 V  
2000 W

Code  
**KITAC020**

Price  
€ 310,00



MONOPHASE 230 V  
3000 W

Code  
**KITAC030**

Price  
€ 320,00



THREEPHASE 400 V  
4000 W

Code  
**KITAC440**

Price  
€ 400,00



THREEPHASE 400 V  
5000 W

Code  
**KITAC450**

Price  
€ 410,00



THREEPHASE 400 V  
6000 W

Code  
**KITAC460**

Price  
€ 430,00

